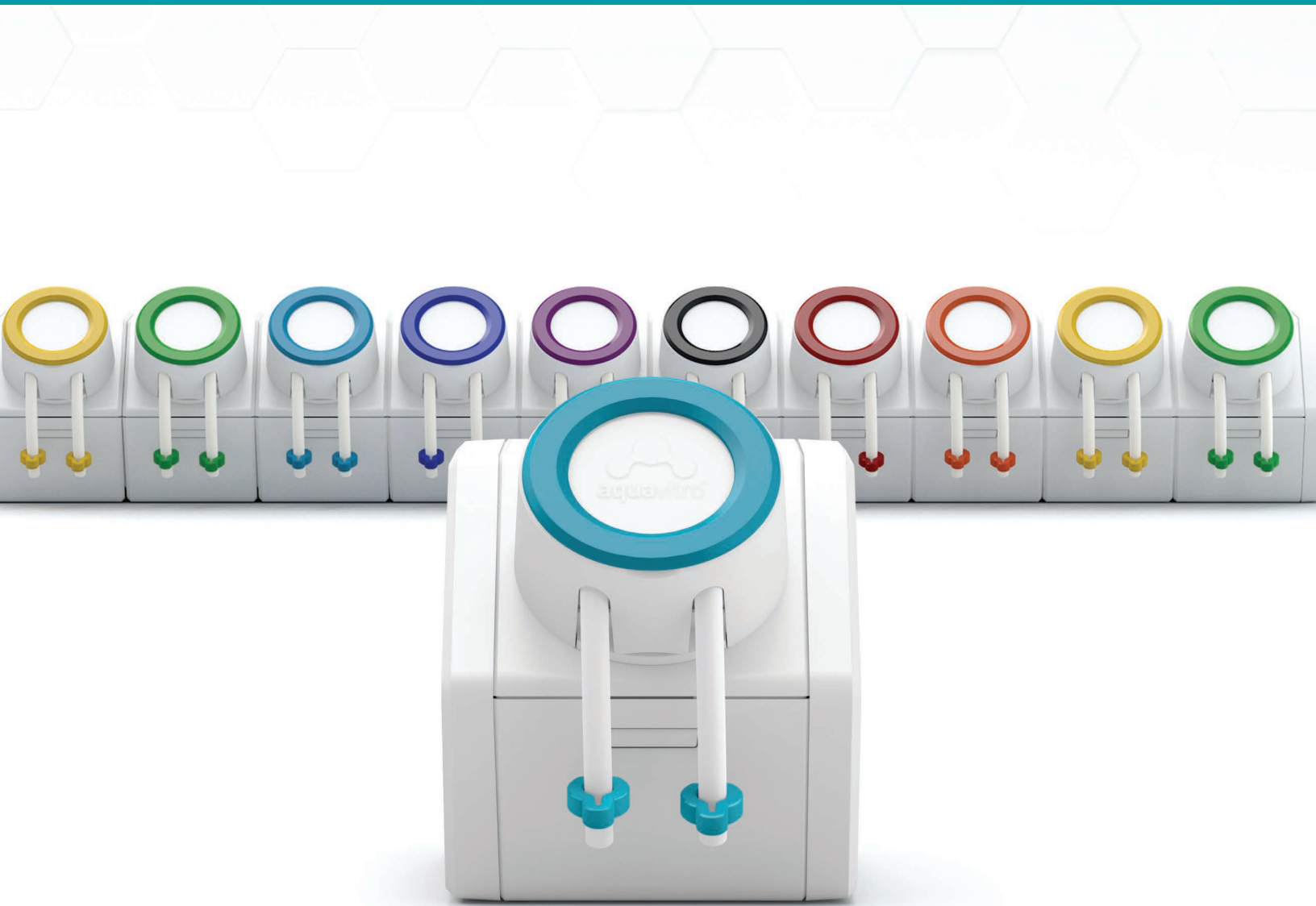


sentia™ dose

User Manual

Manual de instrucciones / Manuel d'instructions / Manuale Istruzioni / Manual de instruções / Handleiding / Bedienungsanleitung / Руководство пользователя / Instrukcja obsługi / Kullanım Kılavuzu / Hướng dẫn sử dụng / उपयोगकर्ता नयिमावली





Contents

Introduction	2
Parts Checklist	2
Power Supply & Connecting Units	3
Using the Included Mounting Bracket	4
Setting Up Doser Pump Heads and Tubing	4
The sentia™ App	5
Setting Up Aquariums in the App	5
Adding sentia™ Devices to the App	6
Device Setup	6
Notes on Dosing Schedules	9
The Dashboard	9
Resetting the WiFi Configuration on the Primary Doser	10
Resetting the Memory Configuration	10

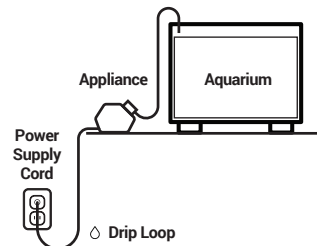
IMPORTANT SAFETY INSTRUCTIONS

WARNING - To guard against injury, basic safety precautions should be observed, including the following:

A) READ AND FOLLOW ALL SAFETY INSTRUCTIONS

B) DANGER: To avoid possible electric shock, special care should be taken since water is employed in the use of aquarium equipment. For each of the following situations, do not attempt repairs by yourself; return the appliance to an authorized service facility for service or discard the appliance:

- 1) CAUTION: If the appliance falls into the water, DON'T reach for it! First unplug it and then retrieve it. If electrical components of the appliance get wet, unplug the appliance immediately. (Non-immersible equipment only)
- 2) If the appliance shows any sign of abnormal water leakage, immediately unplug it from the power source. (Non-immersible equipment only)
- 3) Carefully examine the appliance after installation. It should not be plugged in if there is water on parts not intended to be wet.
- 4) Do not operate any appliance if it has a damaged cord or plug, or if it is malfunctioning or has been dropped or damaged in any manner.
- 5) To avoid the possibility of the appliance plug or receptacle getting wet, position aquarium stand and tank or the fountain to one side of a wall-mounted receptacle to prevent water from dripping onto the receptacle or plug. A "drip-loop" shown in the Figure A should be arranged by the user for each cord connecting an aquarium appliance to a receptacle. The "drip-loop" is the part of the cord below the level of the receptacle or the connector if an extension cord is used, to prevent water traveling along the cord and coming in contact with the receptacle. If the plug or receptacle does get wet, DON'T unplug the cord. Disconnect the fuse or circuit breaker that supplies power to appliance. Then unplug and examine for presence of water in the receptacle.



- C) Close supervision is necessary when any appliance is used by or near children.
- D) To avoid injury, do not contact moving parts or hot parts such as heaters, reflectors, lamp bulbs and the like.
- E) Always unplug an appliance from an outlet when not in use, before putting on or taking off parts and before cleaning. Never yank cord to pull plug from outlet. Grasp the plug and pull to disconnect.
- F) Do not use an appliance for other than intended use. The use of attachments not recommended or sold by the appliance manufacturer may cause an unsafe condition.
- G) Do not install or store the appliance where it will be exposed to the weather or to temperatures below freezing.
- H) Make sure an appliance mounted on a tank is securely installed before operating it.
- I) Read and observe all the important notices of the appliance.
- J) If an extension cord is necessary, a cord with a proper rating should be used. A cord rated for less amperes or watts than the appliance rating may overheat. Care should be taken to arrange the cord so that it will not be tripped over, pulled, or placed where the appliance plug and extension cord plug will be exposed to water.
- K) This appliance has a polarized plug (one blade is wider than other). As a safety feature, this plug will fit in a polarized outlet only one way. If the plug does not fit fully in the outlet, reverse the plug. If it still does not fit, contact a qualified electrician. Never use with an extension cord unless plug can be fully inserted. Do not attempt to defeat this safety feature. **EXCEPTION:** This instruction may be omitted for an appliance that is not provided with a polarized attachment plug.

SAVE THESE INSTRUCTIONS

sentia™ dose pumps are made in conformity with the national and international security laws.

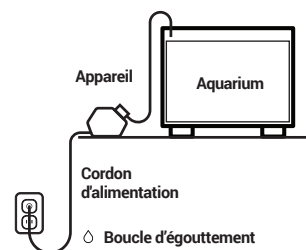
CONSIGNES DE SÉCURITÉ IMPORTANTES

MISE EN GARDE : Afin de se protéger contre les blessures, des mesures de sécurité de base doivent être observées, y compris les suivantes.

A) LIRE ET OBSERVER TOUTES LES CONSIGNES DE SÉCURITÉ

B) DANGER - Pour éviter tout choc électrique, une grande prudence est de rigueur. Dans chacune des situations suivantes, ne pas essayer de réparer l'appareil soi-même; l'expédier au fabricant pour réparation ou le jeter.

- 1) Dans le cas l'appareil tombe dans l'eau, ne pas se précipiter à le récupérer! Avant tout, débrancher-le de la prise. Si les composants électriques se mouillent, débrancher-le immédiatement (Uniquement pour produits non-submersibles).
- 2) Si l'appareil présente une fuite d'eau anormale, débrancher-le immédiatement de la source d'alimentation (Uniquement pour produits submersible).
- 3) Examiner soigneusement l'appareil après l'installation. Il ne doit pas être branché s'il y a de l'eau sur les pièces qui ne doivent pas être mouillées.
- 4) Ne pas faire fonctionner un appareil défectueux, dont le cordon électrique ou la fiche sont endommagés, ou qui a été échappé ou abîmé d'une façon quelconque.
- 5) Afin d'éviter que l'appareil ou la prise de courant soient mouillés, installer le cabinet de aquarium et le bac à côté d'une prise de courant pour empêcher l'eau de dégoutter sur la prise. L'utilisateur devrait faire une boucle d'égouttement fig. ci-dessous pour chaque cordon électrique branché d'un aquarium à une prise de courant. La boucle d'égouttement est la partie du cordon se trouvant sous le niveau de la prise de courant (ou le raccord si une rallonge électrique est utilisée), afin d'empêcher que l'eau circule le long du cordon électrique et entre en contact avec la prise de courant. Si la fiche ou la prise de courant sont mouillées, **NE PAS** débrancher le cordon électrique : débrancher d'abord le fusible ou disjoncteur qui fournit l'électricité à l'appareil et débrancher ensuite l'appareil en vérifiant qu'il n'y ait pas d'eau dans la prise.



- C) Pour éviter les accidents, ne pas toucher les pièces en mouvement ou chaudes comme chauffages, réflecteurs, ampoules, etc.
- D) Toujours débrancher l'appareil quand il n'est pas utilisé, quand des pièces doivent être enlevées ou remplacées et avant l'entretien. Ne jamais tirer par le fil pour débrancher l'appareil; prendre la fiche et débrancher l'appareil.
- E) Ne pas utiliser un appareil pour un emploi autre que celui pour lequel il a été fabriqué. Les pièces non vendues ou non recommandées par le fabricant pourraient compromettre la sécurité de l'appareil.
- F) Ne pas exposer cet appareil aux intempéries ou à une température en dessous de 0 °C.
- G) S'assurer qu'un appareil monté sur un aquarium soit bien installé avant de le faire fonctionner.
- H) Lire et observer tous les avis importants sur l'appareil.
- I) Si une rallonge électrique est nécessaire, s'assurer qu'elle soit de la bonne taille. Un cordon électrique de taille inférieure ou de moins d'ampères ou de watts que l'appareil peut surchauffer. Le cordon doit être placé de façon à éviter que quelqu'un trébuche ou le tire involontairement.
- J) Cet appareil possède une fiche polarisée (une lame est plus large que les autres). Par mesure de sécurité, cette fiche s'insère dans la prise polarisée que dans un sens. Si la fiche n'entre pas complètement dans la prise, inverser la fiche. Si elle ne rentre toujours pas, contactez un électricien qualifié. Ne jamais utiliser une rallonge si la fiche peut être insérée complètement. Ne pas essayer de contourner ce dispositif de sécurité.
- K) Cet appareil possède une fiche polarisée (une lame est plus large que les autres). Par mesure de sécurité, cette fiche s'insère dans la prise polarisée que dans un sens. Si la fiche n'entre pas complètement dans la prise, inverser la fiche. Si elle ne rentre toujours pas, contactez un électricien qualifié. Ne jamais utiliser une rallonge si la fiche peut être insérée complètement. Ne pas essayer de contourner ce dispositif de sécurité. **EXCEPTION:** cette notice peut être omise pour tout appareil ne pas muni d'une fiche polarisée.

CONSERVER CES INSTRUCTIONS

Les **sentia™ dose** pompes sont conforme aux normes de sécurité nationales et internationales.

READ AND FOLLOW ALL SAFETY INSTRUCTIONS

- 1) Unplug the device before installing or carrying out any maintenance. Please check that the voltage and frequency indicated on the device label corresponds to that of your electrical network. This electrical device must be powered by a differential circuit breaker
- 2) Never operate the device without water to avoid damage to the pump's components.
- 3) Before plugging in the device, check that the cord and the device are not damaged.
- 4) The adapter has a type Z cable link. The cable and the plug cannot be substituted or repair. In case of damage, replace the entire device.
- 5) CAUTION: disconnect all submerged electrical products before doing maintenance in the water; in case the plug or electrical outlet is damaged, switch off the circuit breaker before disconnecting the plug from the outlet.
- 6) This product is designed for indoor use only, and has an IP20 protection rating; it should not be turned on unless you have ensured that the unit is a completely dry.
- 7) Never put the device in the water and place it where it CANNOT fall into the water or have contact with water.
- 8) This unit is non-submersible. To avoid the possible risk of electric shock place the unit in a dry place safe from splashing, moisture and salt creep, where it can't accidentally fall into water.
- 9) This product is designed for aquarium use only. Use in other applications may damage its components, voiding the warranty immediately.
- 10) The device can be used with liquids or in environment with a temperature not higher than 35 °C / 95 °F.
- 11) Do not use the device for purposes (i.e. in bathroom or similar applications) other than for which it was designed.
- 12) Avoid device use with corrosive and abrasive liquids.
- 13) This device has not been designed for use by children or mentally challenged individuals. Appropriate adult supervision or persons responsible for personal safety is required.
- 14) To prevent water from accidentally wetting the plug or electrical outlet, make a loop in the cord under the electrical outlet level

INSTRUCTIONS FOR THE CORRECT DISPOSAL OF THE PRODUCT ACCORDING TO EU DIRECTIVE 2002/96/EC

When used or broken, this product does not have to be disposed with other waste. It can be delivered to specific electrical waste collection centers or to dealers who provide this service. Disposal of electrical products separately avoids negative consequences for the environment and for overall public health and allows the reuse of materials providing savings of energy and resources.

LIMITED WARRANTY

Seachem guarantees this product (see Exclusions below) to the original purchaser against defects of materials and workmanship for a period of three (3) years from the date of original purchase, and may be extended for an additional two (2) years with registration of the product at www.registration.seachem.com; all terms excepting for the doser's pump head, which is guaranteed for a period of six (6) months. This warranty is limited to repair or replacement (at Seachem's discretion) of defective product only and does not cover loss of aquarium life, personal injury, property loss, or damage arising from the use of the product. You must retain original proof of purchase to validate the warranty. Any warranty herein shall run concurrently with, and not in addition to, any minimum warranty periods established by applicable law.

Claims made under warranty shall be filed online at www.seachem.com by the original purchaser and who must provide proof of purchase at the time of filing. The claimant must obtain a "Return Merchandise Authorization" at the time of filing before sending any product for warranty or technical service. The purchaser bears the cost of shipping to and from the service center or repair station.

EXCLUSIONS. This warranty does not cover the following: *Damage resulting from accident, misuse, abuse, lack of reasonable care, use of the product that is other than normal or ordinary, using the product in abnormal working conditions or any other failures not resulting from defects in materials or workmanship. *Damage resulting from modification, tampering with or attempted repair by anyone other than Seachem or its designee. * Transfer of the product to someone other than the original purchaser. * Subjecting the product to electrical service not specified in the packaging; the original purchaser is responsible for providing adequate electrical facilities."

EXCLUSION DAMAGES AND LIMITATION OF IMPLIED WARRANTIES

Your sole and exclusive remedy is product repair or replacement as provided in this Limited Warranty. The company disclaims any liability for incidental and consequential damages for breach of any express or implied warranty or conditions, including the implied warranties or conditions of merchantability, merchantable quality, fitness for a particular purpose, or of satisfactory quality with respect to this product. This writing constitutes the entire warranty agreement of the parties with respect to the subject matter hereof, no waiver or amendment shall be valid unless in writing signed by Seachem. Any implied warranties herein are limited to one year or the shortest period allowed by the law of your jurisdiction

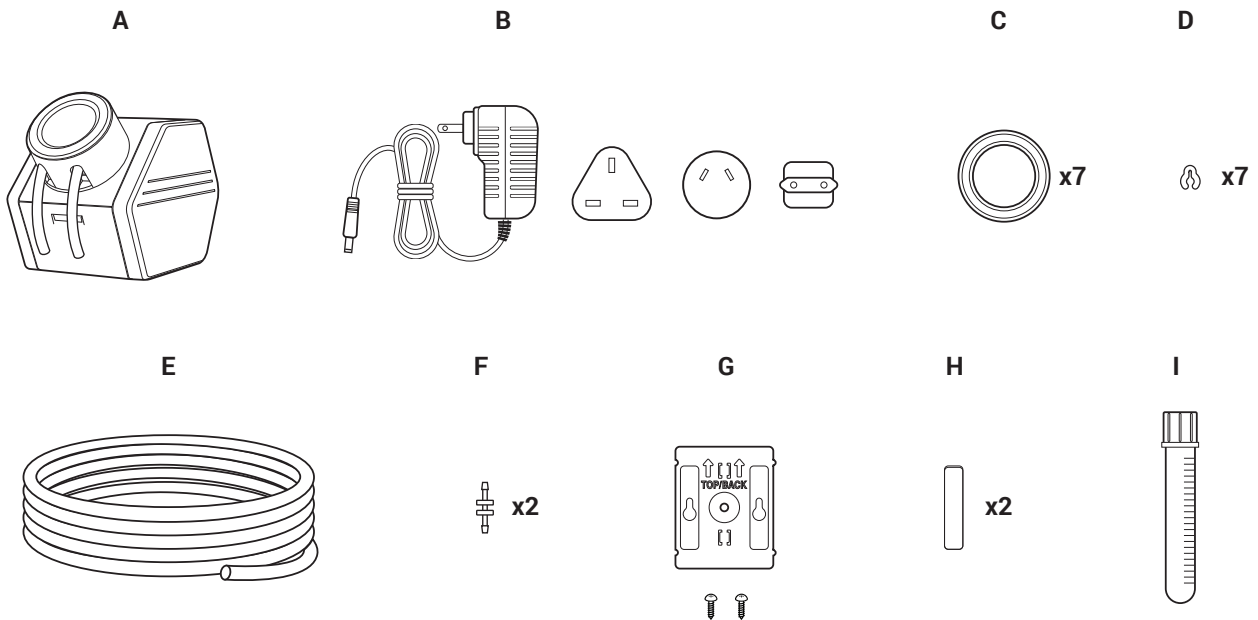
Introduction

The sentia™dose primary and secondary dosers provide an unparalleled platform for the success of any aquarist in keeping consistent parameter levels in any aquarium environment. The patented modularity and simplicity in design offer affordability and expandability beyond any other doser system on the market. The dosers are easily programmed and run using any smart phone with an app over Wifi. A host of convenient and industry leading features make the sentia™dose dosers the best choice in dosing systems for any aquarium.

Parts Checklist

Check the integrity of each component of the parts list prior to use.

- A. sentia™dose Unit
- B. Power Adaptor with Plugs Set (North American, EU, UK and Australia/New Zealand) **Primary Unit only**
- C. Colored Rings for Pump Head (Red, Orange, Yellow, Green, Blue, Teal, Purple)
- D. Colored Clips for Tubing (Red, Orange, Yellow, Green, Blue, Teal, Purple)
- E. Tubing (3m)
- F. Tubing Connectors (2)
- G. Mounting Plate (1) and Screws (2)
- H. Adhesive Strips for Mounting Plate (2)
- I. Calibration Tube with Cap



Power Supply & Connecting Units

The sentia™dose Primary Control Unit includes a Power Adaptor and Plugs Set. The Plugs Set includes plugs matching electrical outlets for North American, EU, UK and Australia/New Zealand locales or setups. To prepare the Power Adaptor for use, slide the appropriate Plug onto the Plug Adaptor firmly - the Plug should lock into place securely. The Power Adaptor supplies power to the the Primary Control Unit and any Secondary Units attached to the Primary Control Unit.

Always make certain the Power Adapter is unplugged before connecting or disconnecting any Primary Control Unit or Secondary Units in sequence.

To connect any unit in sequence simply remove the corresponding side plates of the units being connected (Figure 1.A) and slide the unit being connected to the right down onto the unit on the left (Figure 1.B). Replace all side covers to any exposed sides once connections are complete.

Figure 1.A

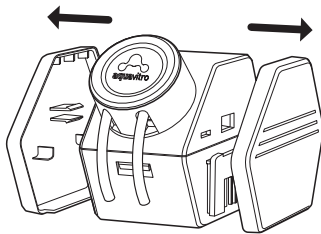
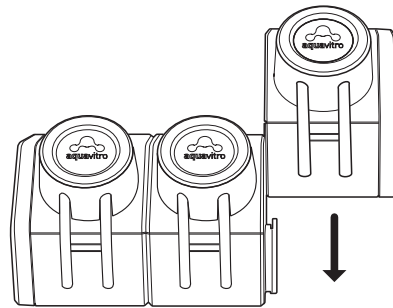


Figure 1.B



Primary Control Units and Secondary Units can be connected in any sequence or order. The connected units sequence will always appear in the app list from left to right in a top-to-bottom arrangement with the left unit being at the top of the list.

Once all units being used are connected in sequence and side covers are in place, the Power Adaptor can be plugged into any unit in the sequence. All units should have lights illuminate just above the Pump Head(s). A white colored circle should be lit to the right above the Pump Head(s). A white WiFi emblem should show to the left above the Pump Head on Primary Control Units. A white Link emblem should blink to the left on any Secondary Units - the light(s) will blink in succession for any sequence of Secondary Units.

Using the Included Mounting Bracket

Each sentia™dose Primary Control Unit and/or Secondary Unit includes a mounting bracket for optionally securing the Unit(s) as desired. The included Mounting Plate can be secured with the included Screws or the included Adhesive Strips. The Mounting Plates for any number of Units in sequence interlock to neighboring Units. Mounting Plates should be secured in sequence to the mounting location. Once secured, the entire group of Units can be attached to the line of Mounting Plates.

Setting Up Doser Pump Heads and Tubing

Placement of the sentia™dose Primary Control Unit and/or connected Secondary Unit(s) is unique to each user's circumstance. In general, the system should be set up for ease of access to any supplements being dosed while being within a comfortable proximity to the aquarium or sump being dosed. Any length of tubing distance is generally feasible given proper calibration of the solution being dosed.

Additionally, the Pump Head can be adjusted to 8 different positions by turning the Pump Head gently clockwise to unlock its position. The Pump Head can then be turned to the various other positions and then locked back into place by lowering it into the chosen position and turning it counter clockwise. This allows the Unit(s) to be positioned horizontally, vertically, diagonally, etc. to facilitate the best position for each user's application. All sentia™dose Primary Control Units and Secondary Units come with the Pump Head already assembled.

Connect a Tubing Connector to each end of the Pump Head tubing. When facing the Pump Head directly the flow through the doser is in through the Right Tube and out through the Left Tube. Approximately 1 meter of Tubing is included with each Primary Control Unit and Secondary Unit. Install the appropriate length of tubing required from the supplement reservoir or bottle to the inflow side (Right Tube when facing Unit) of a unit making certain that the length of tubing extends all the way to the bottom of the reservoir easily. Install the appropriate length of tubing required from the Primary Control Unit and/or connected Secondary Unit outflow side (Left Tube when facing Unit) to the aquarium or sump being dosed. Make certain the line is secure and that the output end of the line is above the water line. Additional tubing is available in 3 meter segments as an accessory from your dealer.

Colored Rings for Pump Heads are intended to coordinate with the Colored Clip for each tube run to avoid confusion when using multiple dosers. The Pump Head Colored Ring can be removed by lightly pulling up at the indentation where the Colored Ring meets the Pump Head. Simply replace the Colored Ring as desired and press down on the Colored Ring to secure it to the Pump Head. A corresponding Colored Clip can then be installed on the end of the output line at the aquarium or sump being dosed.

The sentia™ App

To get the most out of sentia™ devices, download the sentia™ app for your smart phone. The sentia™ app is quite intuitive, simple to use, and is an integral component of the sentia™ system. Once the app is downloaded and opened the user is guided through the easy process of “Registration”. Registration sets up usernames, passwords, communication preferences, etc. for future log in into the app. You will also be guided to set up a “Profile” in the app where you will also set time zone and language preferences. Once a profile is built you will be ready to setup “My Aquariums”.

If you haven't done so, you can download the app using the appropriate QR code

Android



iOS



Setting Up Aquariums in the App

Touch the “+” icon to add an aquarium. Any number of aquariums can be setup to manage various devices.

Fill in appropriate information about the aquarium or system upon which the device(s) will be operating. A “Photo” of the aquarium can be added easily.

Make sure to specify the proper unit of volume being used; Liters or [US or Imperial] Gallons. This is critical to the proper function of the system and to avoid improper dosing.

It is essential to define not only the “Aquarium Size” (listed volume) but most importantly the “Aquarium Volume” (actual amount of water in the system). The app calculates dosing based on the *volume* of water it is dosing - not the aquarium size. For example, a 20 US gallon reef style aquarium may have a volume of only 15 US gallons once displacement of rock, décor, etc is taken into consideration. For this reason, it is important to estimate the actual volume of water being dosed as closely as possible. Adjustments can always be made later to either dosing regimen or “Aquarium Volume” as necessary.

Once the “Save” is touched the aquarium is setup. To return to the aquarium settings window simply touch the aquarium under “My Aquariums” and touch the “⋮” menu icon at the top right of the screen. Select “Aquarium Settings”. You will see the ability to delete any aquarium(s) in this same pop up. To delete an aquarium, all associated devices must first be deleted from the selected aquarium.

Adding sentia™ Devices to the App

Once an aquarium is setup under “My Aquariums”, any number of devices can be added to the aquarium. Simply tap on the aquarium in the “My Aquariums” list and a screen specific to that aquarium will open. Now tap the “+” icon to add doser(s). Simply follow the “Setup” instructions. Once WiFi is connected the app will bring you back to the specific aquarium screen and will show all connected devices. Click on any device to begin setup of that device.

Device Setup

Device setup is easily accomplished by following the prompts from the app.

Supplement

You will first define the supplement to be run in the doser as either a Seachem/aquavitro product or not. If “Yes” you can scan the barcode from the product label to enter that supplement. If your camera has difficulty scanning the barcode, the barcode can be typed in manually. If your supplement is not a compatible Seachem or aquavitro product, then you can simply enter the supplement name for reference.

Ring Color

Choose a Ring Color to correspond to the dosing head or any color of your choosing. Once the Ring Color is chosen, the Ring Light on the doser itself will change to that color. In the event that no color is desired, choose black and the light on the doser will remain off.

Reservoir Levels

If you used a barcode to enter the supplement, the original container volume will be automatically entered as the reservoir volume. However, any container of your choosing can be used as the reservoir simply by entering the volume in mL. A conversion chart is supplied to help with this calculation. Notifications for “Empty Reservoir Alerts” or “Low Reservoir Alerts” can be turned on or remain off. Minimum level of the Reservoir Alert can be assigned.

Water Test Reminders

It is important to test water parameters regularly to keep any aquarium environment and dosing regimen at peak performance. A testing schedule can be customized as desired and push notification can be provided.

Speed and Calibration

Speed refers to the rate at which the pump doses or spins. There are 3 speeds to choose from: Slow, Medium and Fast. It is important to note that any change to speed requires recalibration to ensure accuracy in dosing.

Follow the prompts to calibrate the dosing for the specific supplement being used to account for density, viscosity, length of tubing, etc.

Do not calibrate with a liquid other than the supplement to be used to ensure proper calibration.

The tubing must first be completely filled from the reservoir all the way the point of output using the desired supplement before calibration.

1. Select "Start" under "Tap Start to fill the line" when asked "Is the line full?". Tap "Start" as many times as is needed to completely fill the line. To avoid unintentional dosing, it is recommended that the line empty into a separate container, not the aquarium system, when filling the line.
2. Once the line is filled, take the included calibration tube (cap off) and hold it at the end of the line to capture all of the supplement as it comes out of the line.
3. Tap the "Calibrate" button and the pump will run for a specific amount of time.
4. Once completed, enter the amount of the supplement in the calibration tube.

Schedule

For Seachem/aquavitro Supplements:

Touching on the menu bars on the right side of the space under "Total Daily Dose for Selected Days" brings up options for Suggested Dose and Calculated Dose.

Suggested Dose follows the labeling directions for the given Aquarium Volume entered previously. This is a great starting point for any dosing regimen as it is simply following the supplement directions. Adjustments can be made as necessary as time goes on.

Calculated Dose allows the entry of Measured Level from testing and compares it to the Desired Level to provide a dose that will bring the level in the aquarium up to the Desired Level. If the Measured Level is higher than the Desired Level it will ask you to retest in 48 hours to allow levels to drop off in the aquarium.

To build a custom dosing schedule, enter the desired amount, in mL, in the box under "Total Daily Dose for Selected Days". Specify the number of doses per day desired in "Doses per Day". The amount of "Unit Dose" will update based on "Total Daily Dose" and "Doses per Day" - this is the amount that will be added for each dose individual dose. If the supplement should be dosed in a specific time of day or night, enter the time frame for the dosing to occur. If the supplement should be dosed in a specific day interval, enter the day interval desired for the dosing to occur. If the supplement should be dosed in on specific days of the week, enter the days of the week desired for the dosing to occur.

For non-Seachem/aquavitro Supplements:

To build a custom dosing schedule, enter the desired amount, in mL, in the box under "Total Daily Dose for Selected Days". Specify the number of doses per day desired in "Doses per Day".

The amount of "Unit Dose" will update based on "Total Daily Dose" and "Doses per Day"; this is the amount that will be added for each dose individual dose.

If the supplement should be dosed in a specific time of day or night, enter the time frame for the dosing to occur. If the supplement should be dosed in a specific day interval, enter the day interval desired for the dosing to occur. If the supplement should be dosed in on specific days of the week, enter the days of the week desired for the dosing to occur.

For Any Supplements:

Once a dosing schedule of any type is saved, returning to the schedule from the dashboard allows the user two more options for adjusting the dosing regimen; "Quick Adjust" and "Adaptive Dose". "

"Quick Adjust" simply allows for quick addition or subtraction to the dosing schedule by percentage. For example a dosing total can be reduced quickly and easily by 10% if required and conversly increased as necessary. Because it is prudent to adjust parameters slowly, the maximum adjustment in either direction is limited to +/-15% as a safety.

"Adaptive Dose" offers an unparalleled means of fine tuning a dosing regimen over time. It is highly advisable to run a dosing schedule for a week at minimum for best results in using "Adaptive Dose". Once a schedule is run with a supplement for at least a week, perform a test for the parameter for which the supplement is being dosed. For example, test calcium levels for a supplement that primarily doses calcium. Under "Adaptive Dose" enter the "Measured Level" from the test. Use the default already entered or enter your own "Desired Level" and touch the "Calculate" button.

The app will ask you to move through 3 important steps.

1. If the "Measured Level" is *below* the "Desired Level", a dose will be recommended over 48 hours to move the level up to the desired level safely. If the "Measured Level" is *above* the "Desired Level", it will be recommended to suspend dosing over 48 hours to allow the level to drop toward the "Desired Level" safely
2. A recommendation will be made for a new schedule based on the difference in the "Measured Level" and the "Desired Level" and the previous dosing schedule success/failure.
3. A recommendation will be made to setup a testing reminder to provide results to input back into the "Adaptive Dose" in a week.

Each of these steps allows for opting out of "Adaptive Dose".

Utilizing all 3 steps provides for the ultimate in continued refinement of a dosing regimen of any supplement to achieve the best results with a doser on an aquarium. As you repeat the "Adaptive Dose" the doser hones in on the best regimen for that specific supplement for your specific aquarium.

After entering a schedule of any type you are brought to the doser's dashboard.

Notes on Dosing Schedules

1. As a general rule, supplement dosing should be done in small amounts more often rather than larger amounts infrequently. This maintains an overall more stable environment chemically in aquariums.
2. Some supplements will preload with time scheduling suited for that particular element. For instance, some elements for planted aquariums are better suited to be dosed at night while others are better dosed in the daylight phase to support photosynthesis.
3. If a single dose at a specified time is desired, set the start and end time at least 1 minute apart. For example, to dose at 9:00 AM set Start Time to 9:00 AM and End Time to 9:01 AM.

The Dashboard

The dashboard provides a clear overview of any one doser's overall settings. The supplement being dosed by the doser is displayed in the heading. "Upcoming Activity" lists the basics of the schedule currently being run. Reservoir levels are displayed and the amount of remaining days based on the current schedule being run is calculated and displayed. Calibration Volume is displayed. Pump Speed is displayed. All programmed schedules are displayed as "My Schedules". Schedules can easily be added by touching the "+" icon and saving the newly programmed schedule. Any schedule can be turned on or off, edited, or deleted in the dashboard. Any active Alerts are displayed at the bottom of the dashboard.

In upper right corner a menu icon brings up a menu that allows for editing Device Settings, ID-ing the device, performing a simple accurate instant dose, Resetting the Device and Deleting the Device. Device Settings allows one to edit all of the settings entered when the device was originally setup. Additionally, there is an option to move the device from one aquarium to another provided there is another aquarium set up with an established Aquarium Volume (with the caveat that the tubing is run to the other aquarium as well). This is a unique feature that allows a single sequence of Primary and Secondary Units to separately dose many different aquariums from within the same app.

Resetting the WiFi Configuration on the Primary Doser

In the event of a WiFi change or failure, all sentia dosers will merely follow the last programming.

In order to reset the WiFi configuration,

1. Disconnect the power adapter.

2. Press and hold down the right (MODE) button.
3. While continuing to hold down the right (MODE) button, reconnect the power adapter. After 10 - 12 seconds the WiFi LED on the left will begin flashing. When it finishes flashing the right (MODE) button can be released.
4. Restart the app and follow prompts for reconnecting the primary doser to WiFi.

Resetting the Memory Configuration

To reset the primary and secondary doser(s) to factory memory,

1. Disconnect the power adapter.
2. Press and hold down the right (MODE) and left dose (water drop icon) buttons simultaneously.
3. While continuing to hold down the right (MODE) and left dose (water drop icon) buttons, reconnect the power adapter. After 3 - 5 seconds the LED on the right will change from a green color to a white color.
4. Now the buttons can be released and the memory has been reset to factory setup.
5. Restart the app and follow prompts to set up the doser(s) as desired.